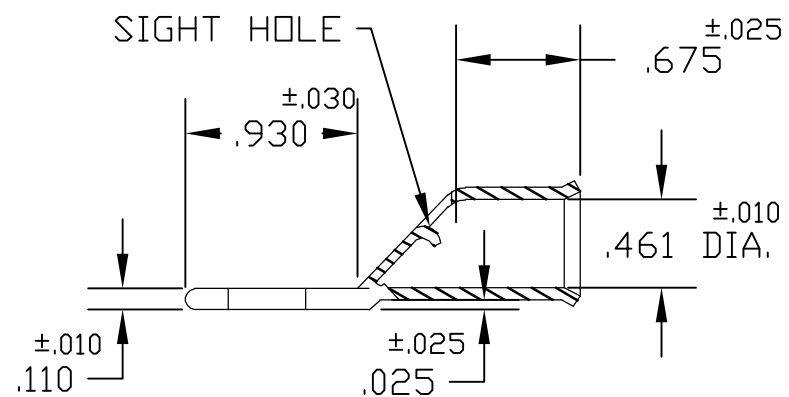
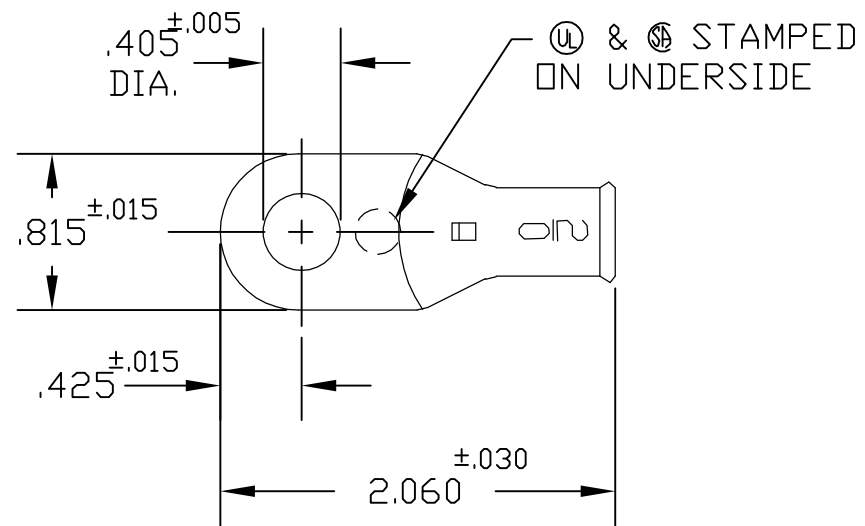


THIS DRAWING IS UNPUBLISHED. RELEASED FOR PUBLICATION
 © COPYRIGHT - BY TYCO ELECTRONICS CORPORATION. ALL RIGHTS RESERVED.

LOC	DIST	REVISIONS					
		P	LTR	DESCRIPTION	DATE	DWN	APVD
G	50		B	REV PER ECR 06-011219	10MAY06	JR	DD



ACTIVE	20381-03	STANDARD	TIN PLATE	1526759-2
ACTIVE	20381-02	STANDARD	PLAIN	1526759-1
STATUS	AET P/N	PACKAGING	FINISH	PART NUMBER

THIS DRAWING IS A CONTROLLED DOCUMENT.		DWN D.A.A 10/9/00	Tyco Electronics Corporation Harrisburg, PA 17105-3608			
DIMENSIONS: INCHES		CHK H.D.F 10/9/00				NAME 2/0 STANDARD TERMINAL W/SIGHT HOLE
		APVD H.D.F 10/9/00	PRODUCT SPEC -			
TOLERANCES UNLESS OTHERWISE SPECIFIED: 0 PLC ± - 1 PLC ± - 2 PLC ± - 3 PLC ± - 4 PLC ± - ANGLES ± -		APPLICATION SPEC -	RESTRICTED TO -			
MATERIAL COPPER ASTM B-152		FINISH -	WEIGHT -	SIZE A3	CAGE CODE 00779	DRAWING NO G-1526759
CUSTOMER DRAWING			SCALE 1:1	SHEET 1 OF 1	REV B	